

TL-CON-RECT-TORRE

The Tower Nut connector and the Buckle for 3/8" cable are made of 16 gauge type 304 stainless steel sheet and 1 x 1/4" stainless steel screws.

Due to its design the 3/8" connector can be attached directly to a tower anchor.

Components

1 Stainless Steel Plate with 1 1/4" Perforation.

1 3/8" buckle.

1 Stainless screws kit.

Characteristics

Dimensions: 1.5mm x 60mm x 13.6mm

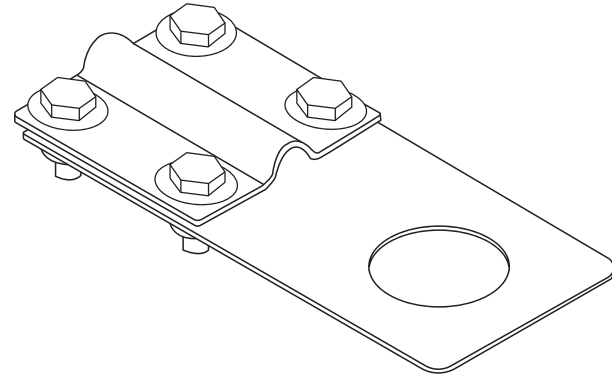
Hole diameter: 1 1/4"

1 Stainless screws kit.

Applications

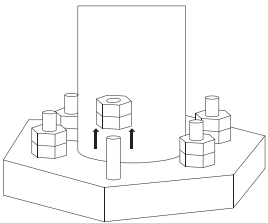
The TL-CON-REC-TOWER is a mechanical connector used to reference ground and tower legs.

The connector is installed on one of the screws on the tower leg and the connection to the mesh is made using the 3/8" buckle.

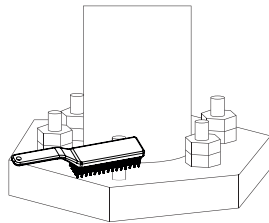


Installation guide

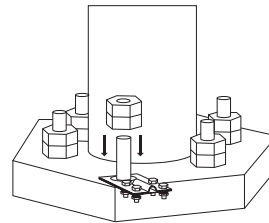
- 1** Remove the nuts from the base.



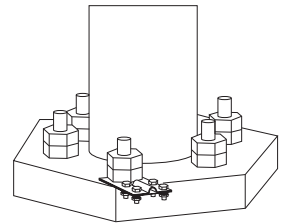
- 2** Scrape the surface until the paint is removed



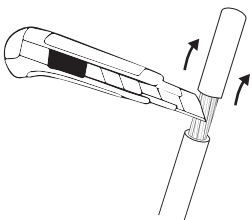
- 3** Place the connector and the nuts



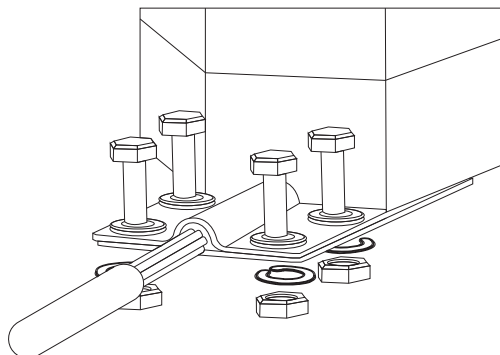
- 4** Tighten nuts firmly



- 5** Mark, cut and remove 5 cm of the cable sheath to connect to the existing land mesh or to the Land Registry BusBar



- 6** Destornillar la hebilla y colocar el cable dentro de esta.



- 7** Place the cable and screw

