

KZC

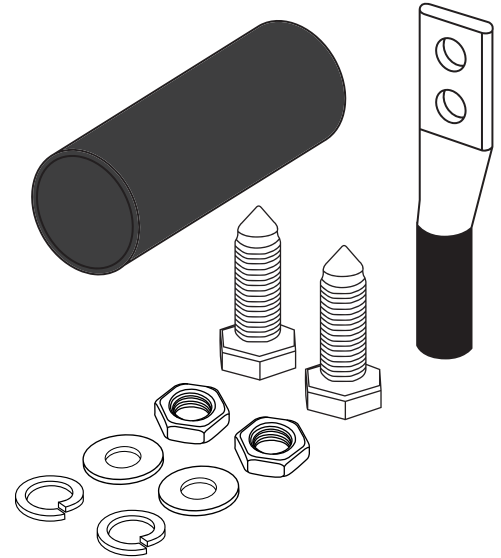
The Parres line of kits is designed to facilitate correct installation in grounding systems. The Connection Shoe Kit is used for the mechanical connection between cable and a structure that by its nature cannot be welded, such as equipment of air conditioning or cabinets with electrical equipment as well as the reference to a ground bar.

Components

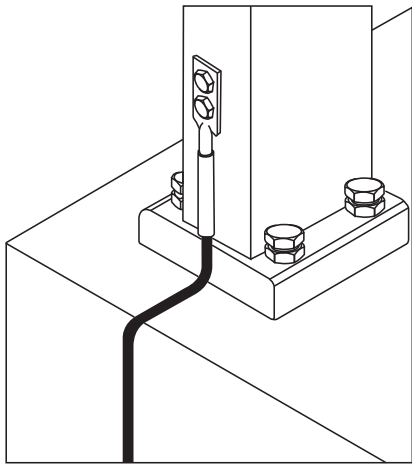
1 Shoe with 2 eyes Cal. 1/0" or 3/8"
2 3/8" x 1 1/4" steel screws
2 Pressure Roller
2 Flat Sheave
2 Nut
1 5 cm Heat Shrink Sleeve.

Applications

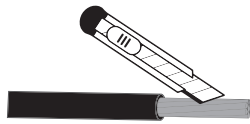
For places where it is impossible to make a connection based on welding, the Shoe Kit becomes the best option due to the way of installation, since the union of the materials is met and the conduction is reliable. As well as an excellent seal with a cover and special self-vulcanizing tape for outdoors and durable joints.



installation



1 At the end of the Downspout Jumper cut and remove 5 cm. of the cable sheath with a utility knife.



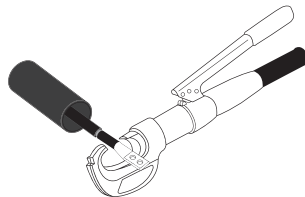
2 Place the heat shrink sleeve on the cable.



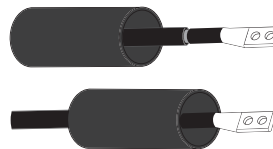
3 Attach the Shoe to the cable.



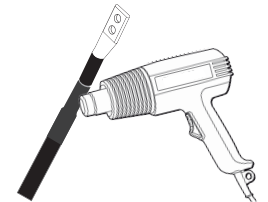
4 Punch out the Shoe.



5 Cover the joint between the shoe and the cable with the heat shrink sleeve.



6 Seal with a heat gun on the heat-shrinkable sleeve.



7 Drill the area where the jumper will be installed in the metal structure



8 Place the jumper in the assigned place and secure with the drill tip screw.

