

## CINCHO - INOX

Stainless steel belt for outdoor use. They withstand the most severe conditions.

Self-locking mechanism provides excellent strength and durability.

### Characteristics

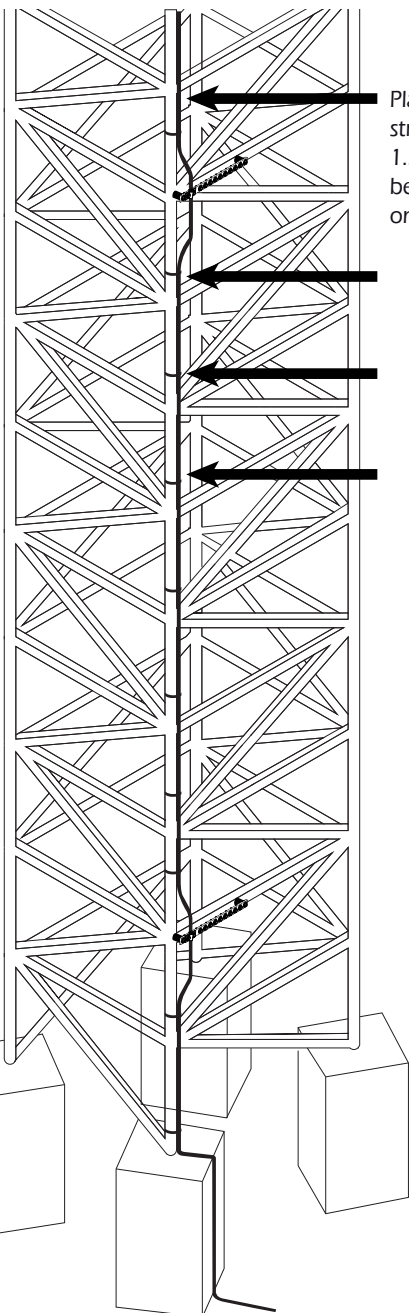
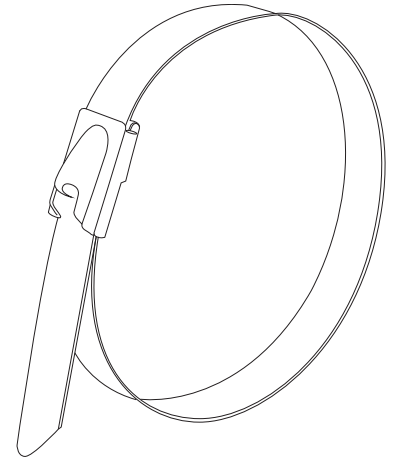
Size:	350mm x 7.9mm
Material:	Stainless steel
Work temperature:	from -80°C to +538°C
Characteristic:	Self-locking mechanism

### Advantages

Its self-locking mechanism provides excellent strength and durability.

### Properties

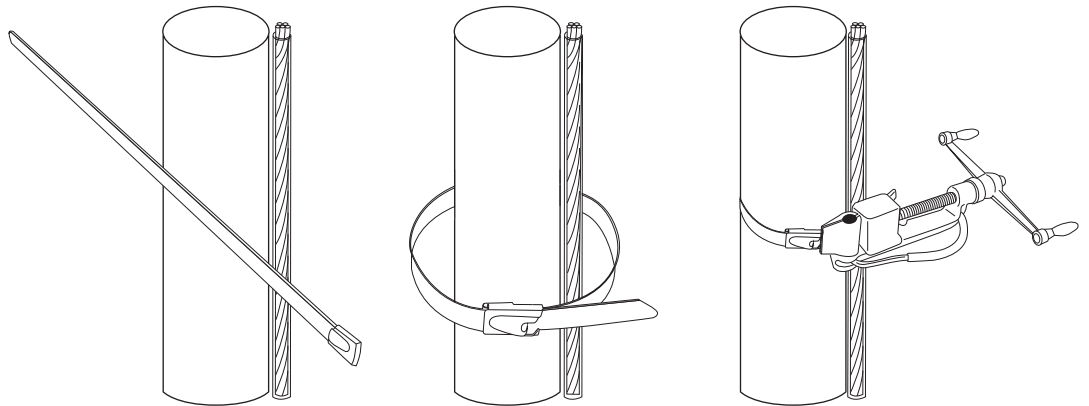
Fire resistance.  
Chemical resistance.  
Smooth rounded edges.



Place straps to 1.5m between each one.

### Facility

- 1** Place the strap on the right place
- 2** Surround the materials to fix.
- 3** With the help of a strapping machine tighten the metal strap.



- 4** Cut the excess.

