

CCA-H

The 1" open connection chamber (CCA-H) fulfills the function of connecting a ground bar cable downpipe, plus feeder connection elements, in a simple and efficient way. It can be used for 1" ground bars.

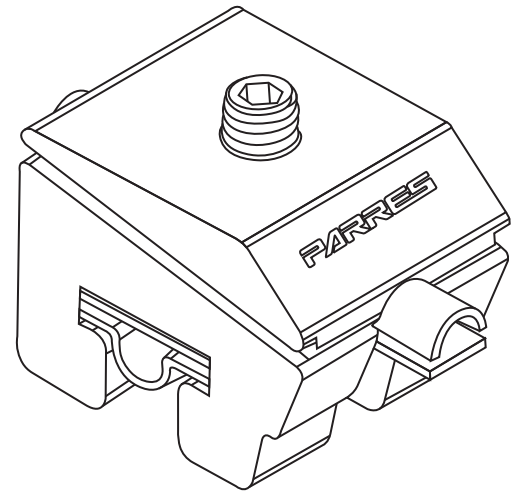
This innovative device allows the expansion and grounding of more groundings or equipment without the need to cut and interconnect the downspout, preserving a single section of cable.

Components

Open Connection Chamber
Straight Aluminum Slab
Aluminum slab in Omega
Aluminum Backrest and Curve Floor

Characteristics

Weight	90 gr.
Long	47.5 mm
High	61.4 mm
Broad	47.5 mm
Camera Material	Polyolefin
Contact Resistance	0.000043
Maximum torque	9 lbf-ft
Complementary material	Foamy

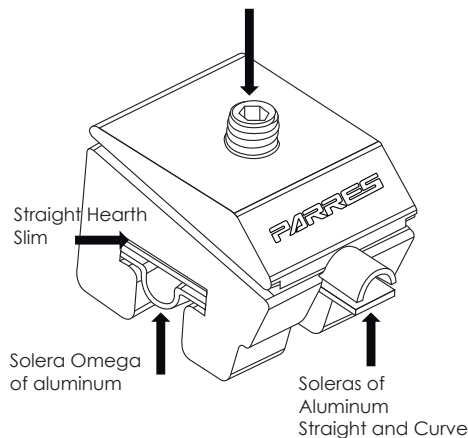


Installation

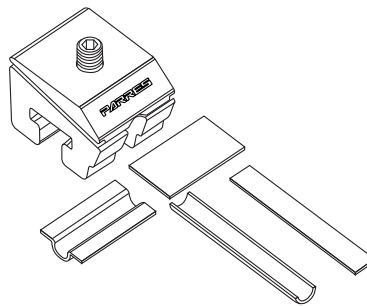
Characteristics

MIL-HDBK-419 A
Military Handbook Grounding, Bonding, and Shielding for Electronic Equipment and Facilities

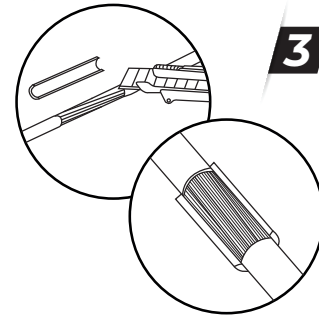
The minimum contact resistance between the element to be grounded and the ground bar of less than 0.001 Ohms is met.



1 Unscrew the central oppressor of the CCA and remove the sils.

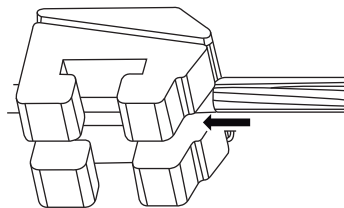


2 With the Curved Solera, mark with marker on the cable jacket, cut and remove the jacket.

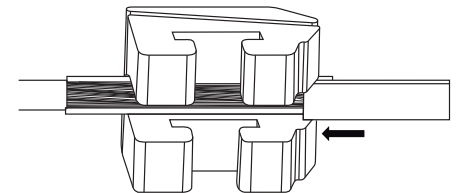


3 We place the Curved Solera

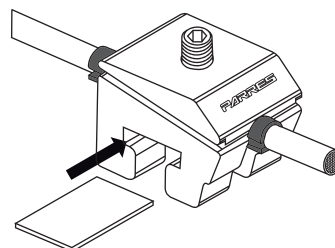
4 Slide the Curved Aluminum Solenoid and cable down the front of the CCA until it is fully inserted.



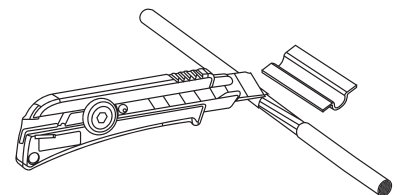
5 Slide the Straight Aluminum Solenoid under the cable in the CCA until it is fully inserted.



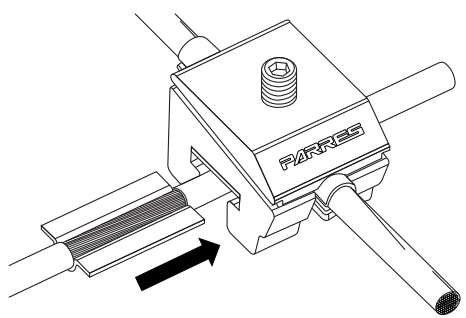
6 Insert the cable that you must connect to ground.



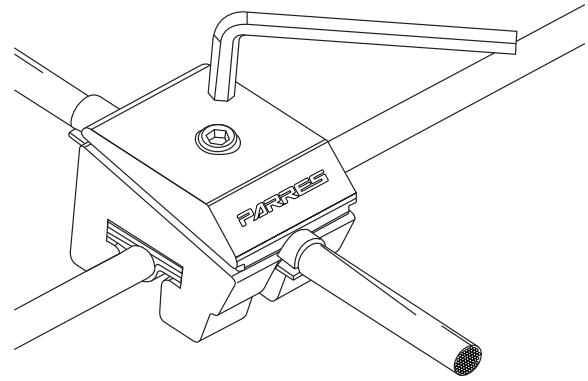
7 With the Solera in Omega, mark with marker on the cable lining and proceed to cut the lining exactly to the length of the marks made.



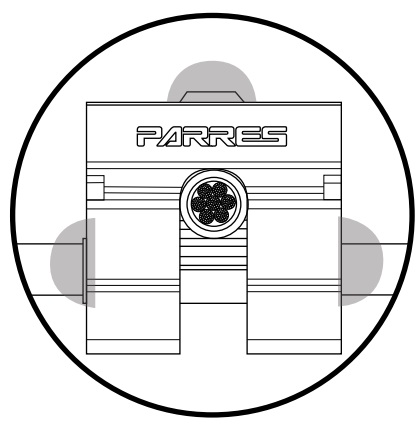
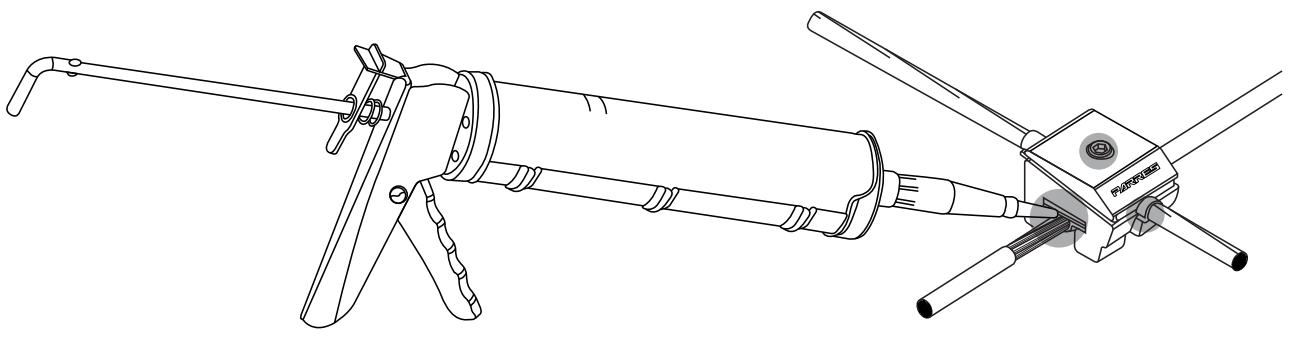
8 Slide the cable and Omega soleplate into the CCA.



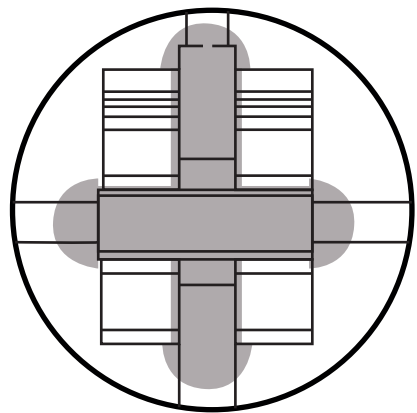
9 Once the CCA is assembled with the cables, we proceed to screw the central oppressor with the Allen wrench.



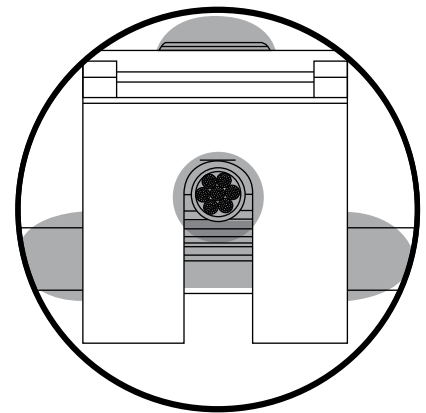
10 Cover with silicone:
- Cable connection with CCA
- Cable connection with Solera
- Omega area of aluminum hearth
- Rear CCA slot
- Upper set screw area



Front view



Bottom View



Back view